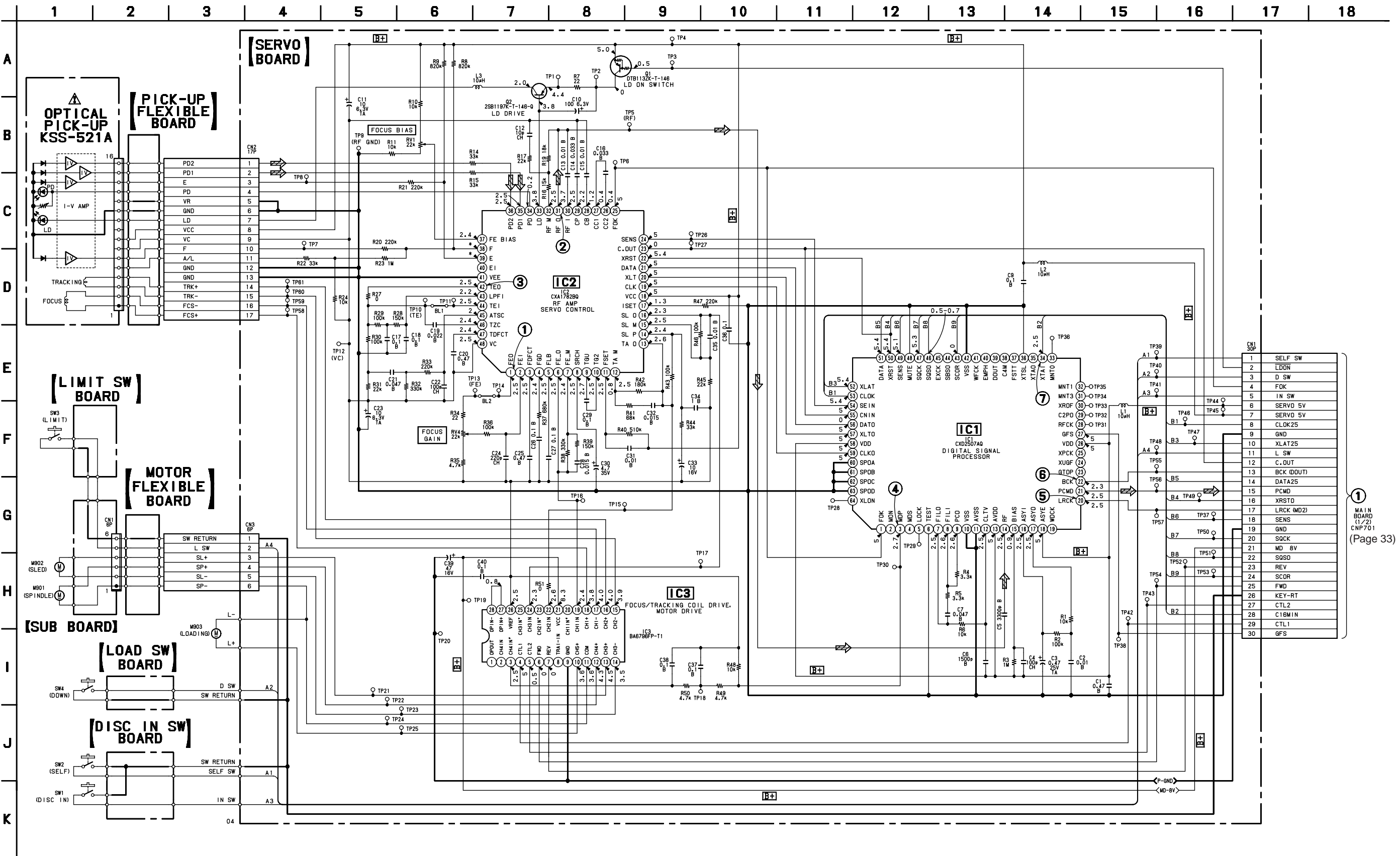
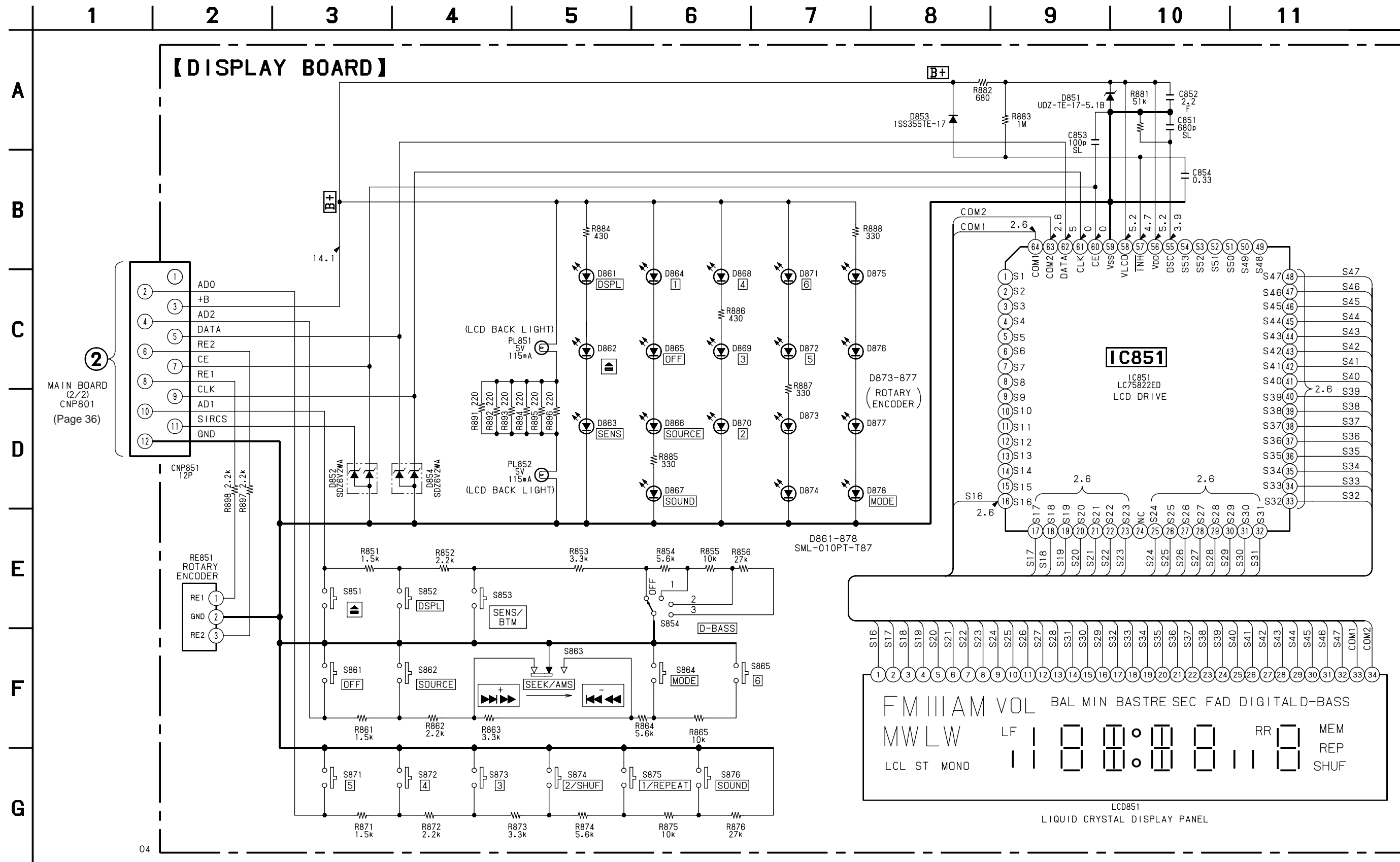


4-4. SCHEMATIC DIAGRAM — CD MECHANISM SECTION — • Refer to page 22 for Waveforms and Note and page 37 for IC Block Diagrams.



1 MAIN BOARD (1/2) CNP701 (Page 33)

4-6. SCHEMATIC DIAGRAM — DISPLAY SECTION —

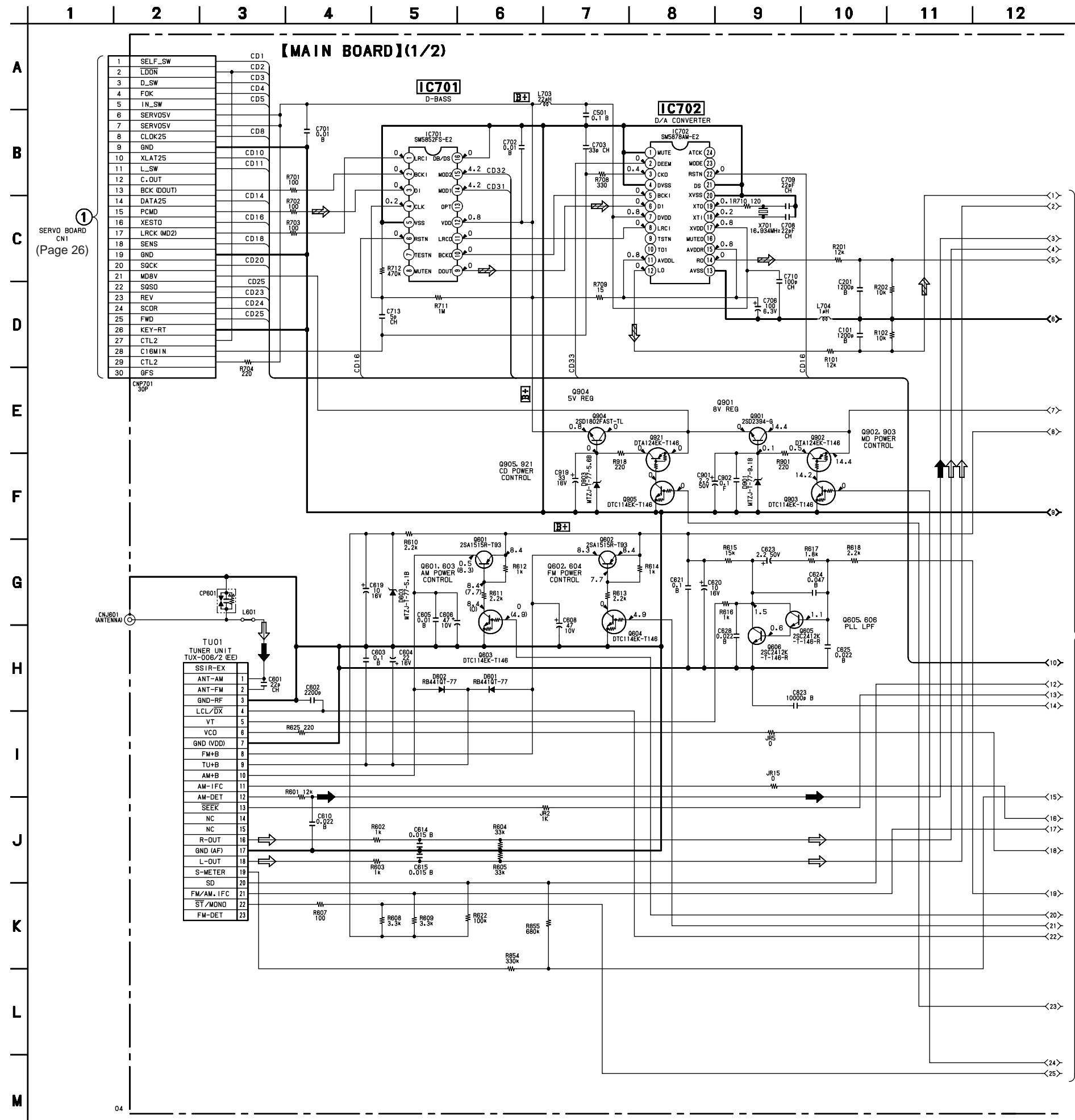


Note:

- All capacitors are in  $\mu\text{F}$  unless otherwise noted. pF:  $\mu\text{pF}$  50 WV or less are not indicated except for electrolytics and tantalums.
- All resistors are in  $\Omega$  and  $\frac{1}{4}W$  or less unless otherwise specified.
- **B+** : B+ Line.
- Power voltage is dc 14.4V and fed with regulated dc power supply from ACC and BATT cords.

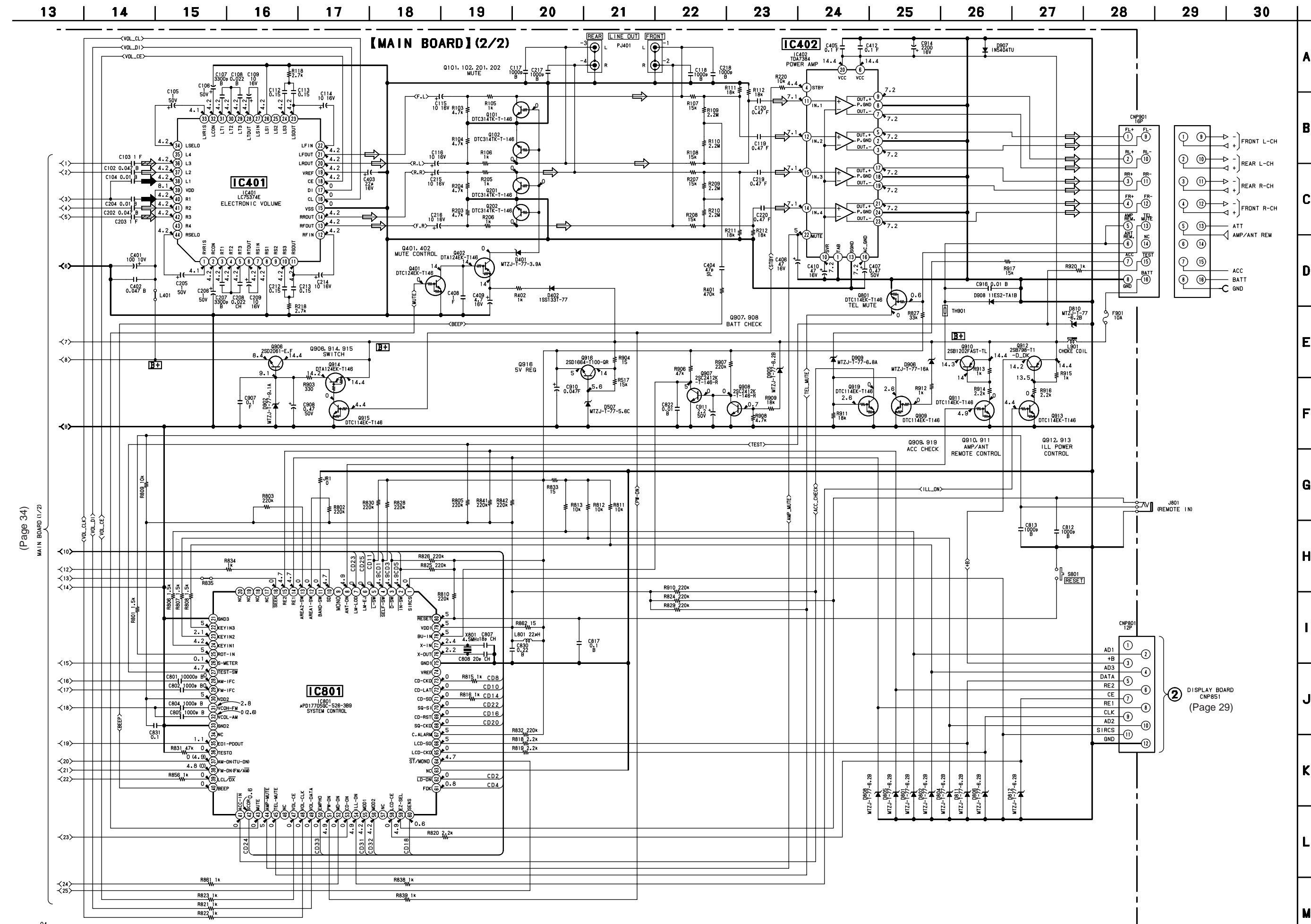
- : panel designation.
- Voltage is dc with respect to ground under no-signal (detuned) condition. no mark : FM
- Voltages are taken with a VOM (Input impedance 10 M $\Omega$ ). Voltage variations may be noted due to normal production tolerances.

4-8. SCHEMATIC DIAGRAM — MAIN SECTION (1/2) — • Refer to page 39 for IC Block Diagrams.



- Note:**
- All capacitors are in  $\mu\text{F}$  unless otherwise noted. pF:  $\mu\text{pF}$  50 WV or less are not indicated except for electrolytics and tantalums.
  - All resistors are in  $\Omega$  and  $1/4\text{W}$  or less unless otherwise specified.
  - $\Delta$  : internal component.
  - $\square$  : panel designation.
  - **B+** : B+ Line.
  - Power voltage is dc 14.4V and fed with regulated dc power supply from ACC and BATT cords.
  - Voltage is dc with respect to ground under no-signal (detuned) condition.
  - no mark : FM
  - ( ) : MW
  - Voltages are taken with a VOM (Input impedance 10 M $\Omega$ ). Voltage variations may be noted due to normal production tolerances.
  - Signal path.
  - $\Rightarrow$  : FM
  - $\Rightarrow$  : MW
  - $\Rightarrow$  : CD

4-9. SCHEMATIC DIAGRAM — MAIN SECTION (2/2) — • Refer to page 34 for Note and page 39 for IC Block Diagrams.

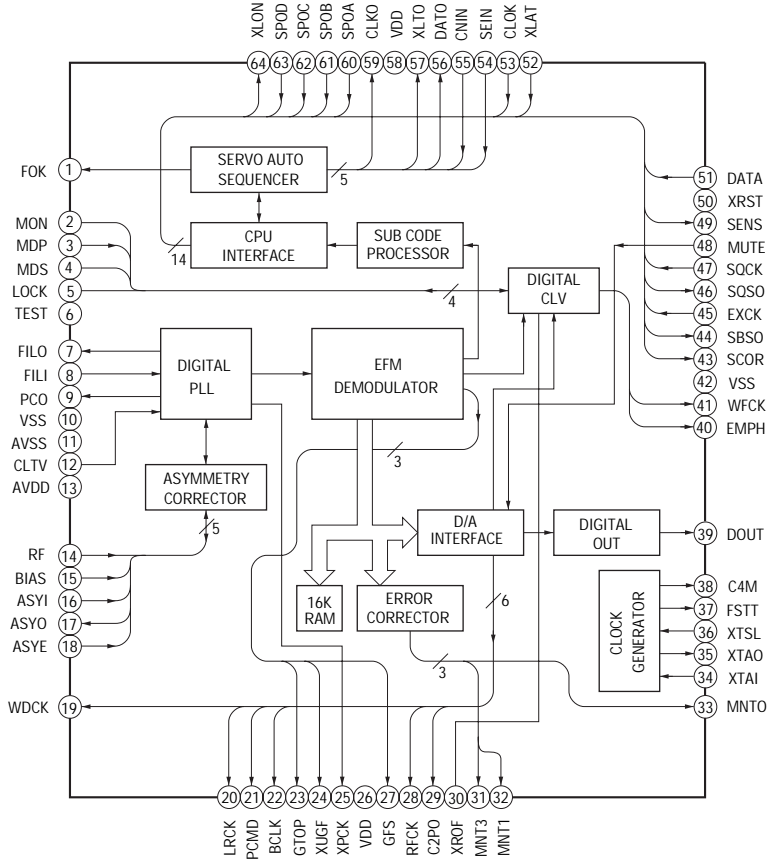


(Page 34)

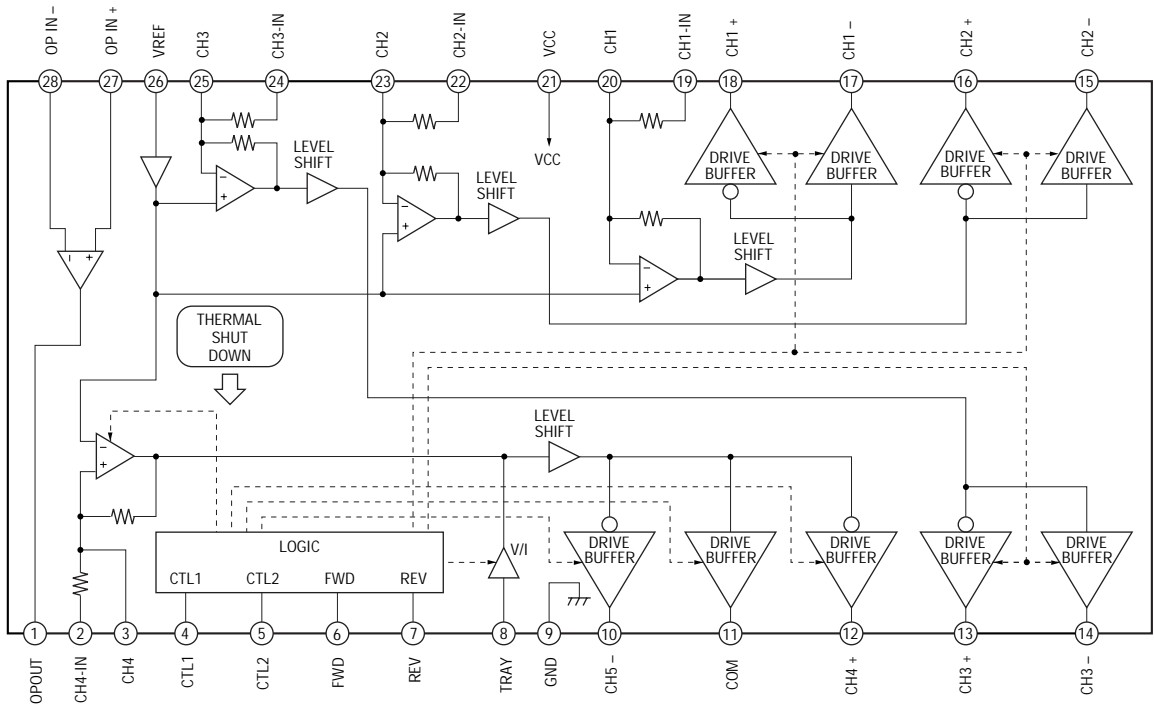
04

• IC Block Diagrams

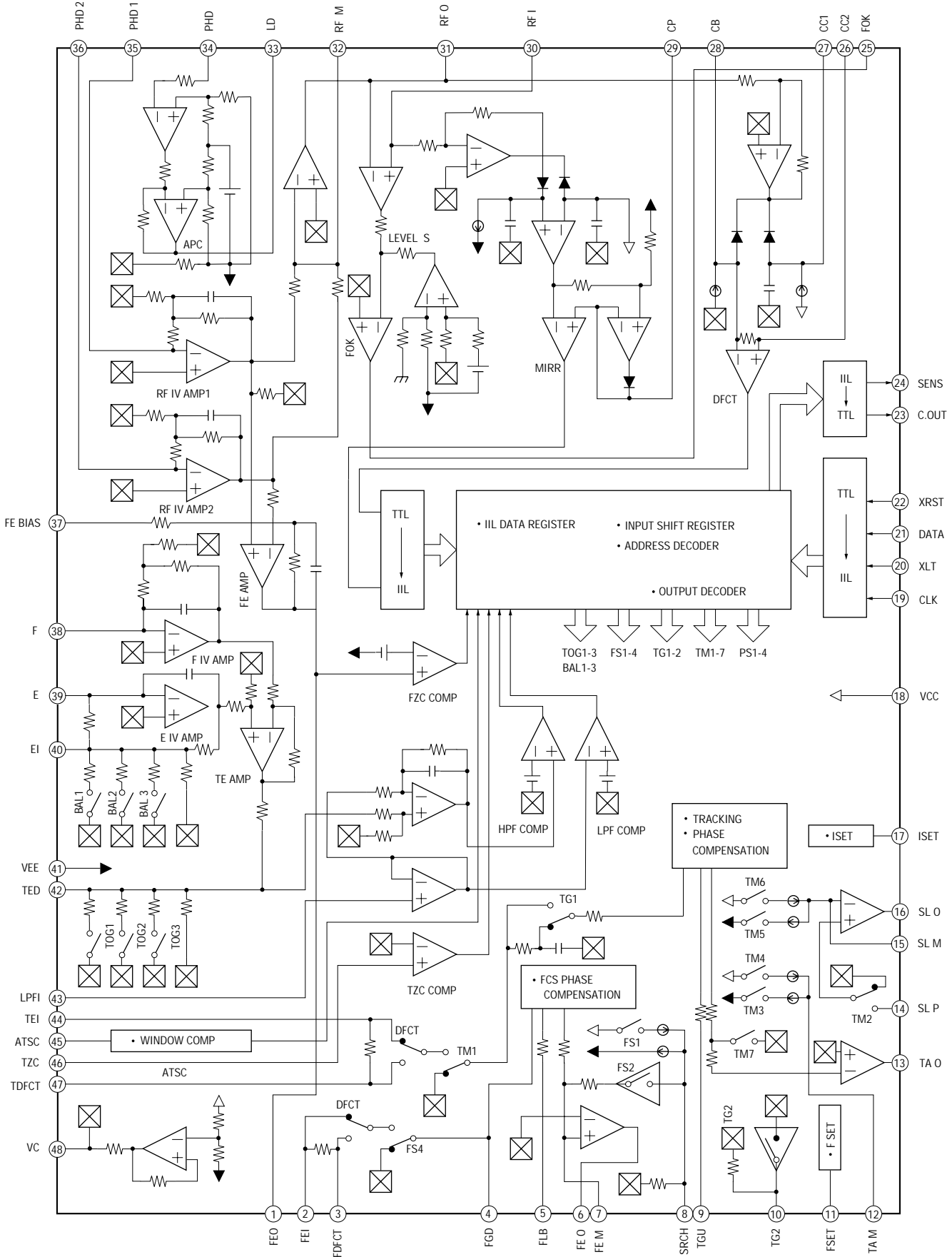
IC1 CXD2507AQ



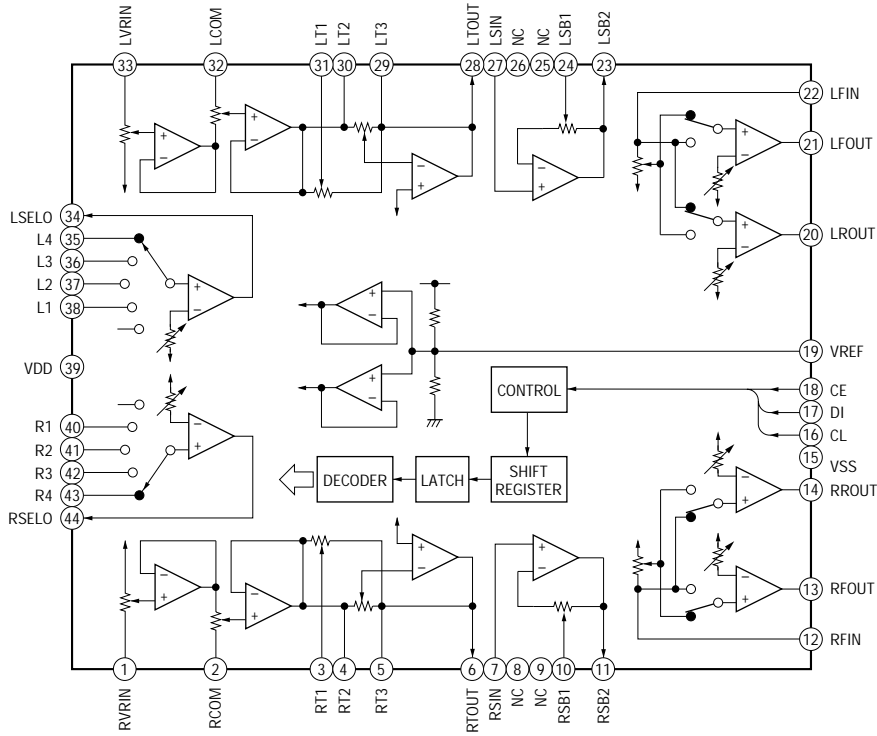
IC3 BA6796FP-T1



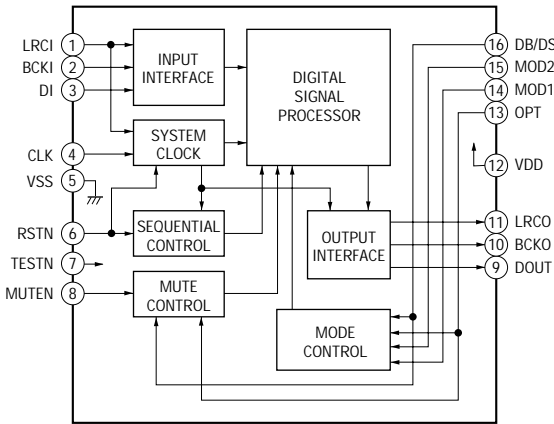
IC2 CXA1782BQ



**IC401 LC75374E**



**IC701 SM5852FS-E2**



**IC702 SM5878AM-E2**

